

Hose Maintenance Machine HM100

Technical data sheet



Arete has designed and launched in a series compact, mobile, and very efficient Hose Maintenance Machine HM100. It is made as “plug and play” tool, it can be easily transported from one location to another. HM100 can clean, inspect, dry and coil fire hoses in diameter up to 110 mm. HM100 is a great tool for fire departments with limited space for hose maintenance.



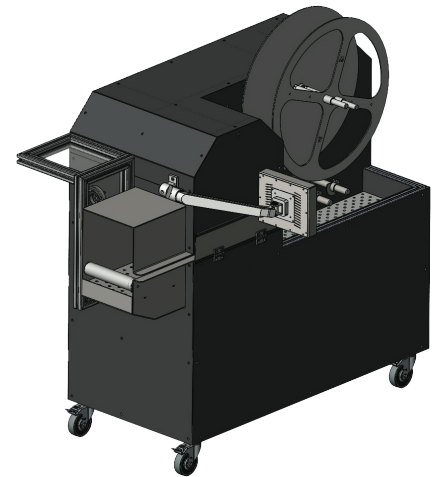
Hose Maintenance Machine HM100

Technical data sheet

For efficient washing, the machine is equipped with 2 brushes, 4 nozzles and distributed water pressure in 180 bar. This solution significantly improves hose cleaning results. Directed rubbered plates will remove the water from the hose after washing and automatic winding system will roll it.

Technical Data

Length (cm)	165
Width (cm)	69
Height (cm)	145
Weight (kg)	355
Maximum testing pressure (bar)	16
Rating	3N+PE 230/400 V / 50Hz/ 9kW



Key Facts

Designed for narrow spaces

Maintenance friendly

Touch screen computerised control



Aluminium frame and panels

Mobile and portable

Complete hose care and testing

Required Connections

Power, Water, Compressed air, Drainage

