

# Flood Container

Document book

Flood Container

REV.	DATE	NAME	CHANGES	REVISION
0	20.02.2026	V. Mitrofanovs		0
Arete Technologies				
Latvia, Riga, Ezera str. 35, LV-1034			CONTRACT :	SCHEME
			User data 1	01
			User data 2	

1-Document book

Drawing	Description	Function	Location	Revision	Date	Created by	Folder	Folder description
<a href="#">01</a>	Cover page	=F1	+L1	0	20.02.2026	V. Mitrofanovs		
<a href="#">02</a>	Drawings list	=F1	+L1	0	20.02.2026	V. Mitrofanovs		
<a href="#">03</a>	Wiring line diagram	=F1	+L1	0	20.02.2026	V. Mitrofanovs		
<a href="#">04</a>	Electrical scheme	=F1	+L1	0	20.02.2026	V. Mitrofanovs		
<a href="#">05</a>	Electrical scheme	=F1	+L1	0	23.02.2026	V. Mitrofanovs		

SOLIDWORKS Electrical

CONTRACT:	LOCATION: <b>+L1</b>	Main electrical closet	Document book				REVISION
							0
			REV.	DATE	NAME	CHANGES	SCHEME
			User data 1		User data 2		02

1

2

3

4

5

6

7

8

9

10

SOLIDWORKS Electrical

### Flood Container Wiring line diagram

				REVISION
0	20.02.2026	V. Mitrofanovs		0
REV.	DATE	NAME	CHANGES	SCHEME
				03

CONTRACT:

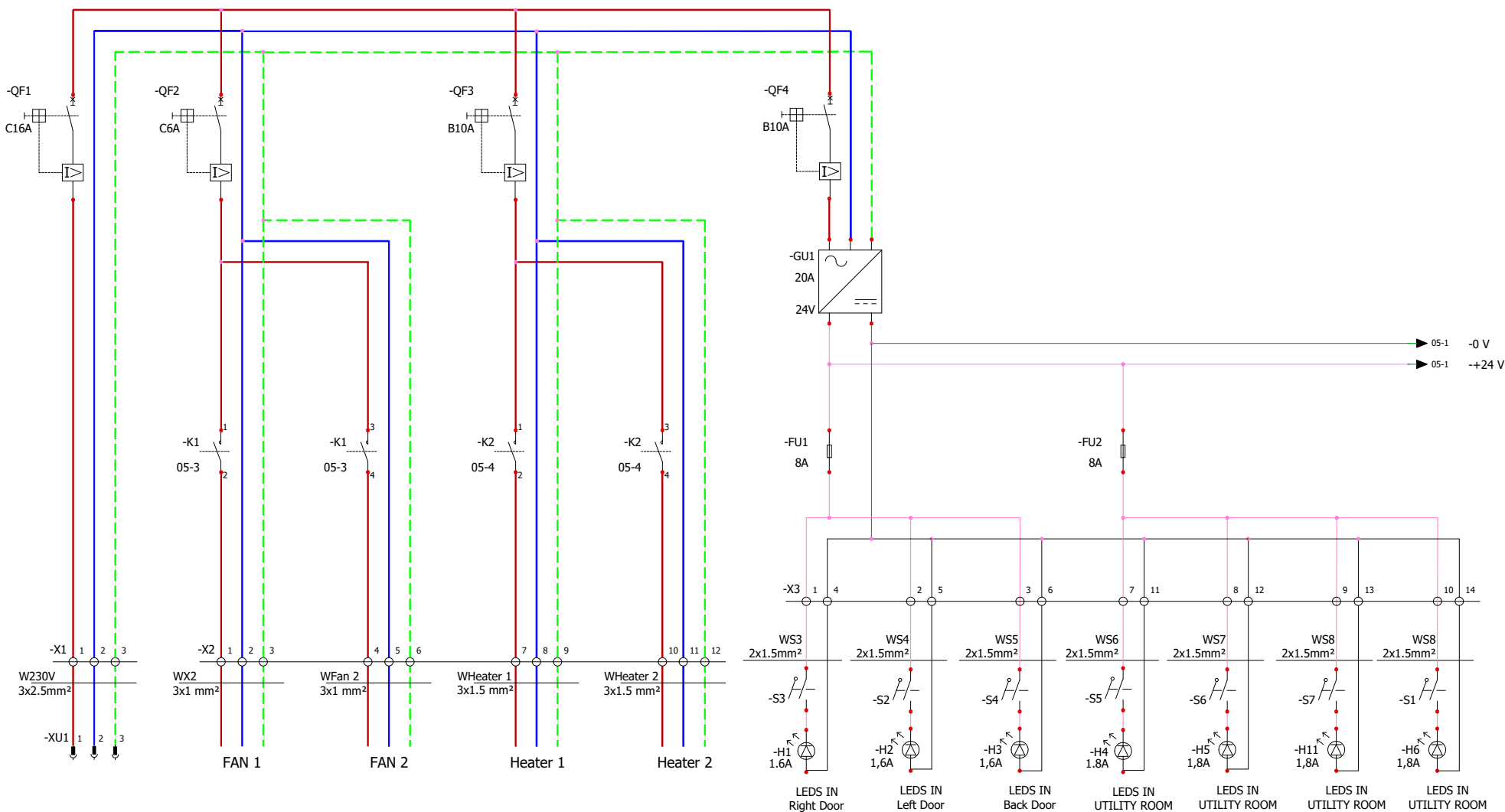
LOCATION:

+L1

Main electrical closet

User data 1

User data 2



SOLIDWORKS Electrical

### Flood Container Electrical scheme

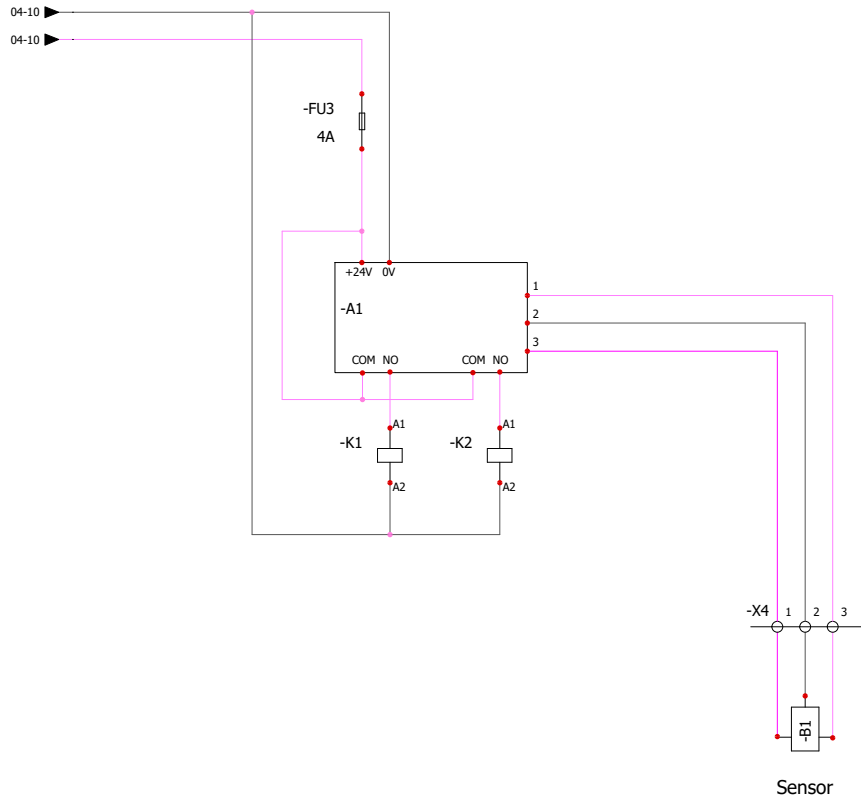
CONTRACT:

LOCATION:

+L1

Main electrical closet

				REVISION
0	20.02.2026	V. Mitrofanovs		0
REV.	DATE	NAME	CHANGES	SCHEME
			User data 1	04
			User data 2	



-K1      -K2

1 → 2 04-2    1 → 2 04-4

3 → 4 04-3    3 → 4 04-5

SOLIDWORKS Electrical

Flood Container  
Electrical scheme

CONTRACT:

LOCATION: +L1

Main electrical closet

				REVISION
				0
0	23.02.2026	V. Mitrofanovs		SCHEME
REV.	DATE	NAME	CHANGES	05
User data 1			User data 2	